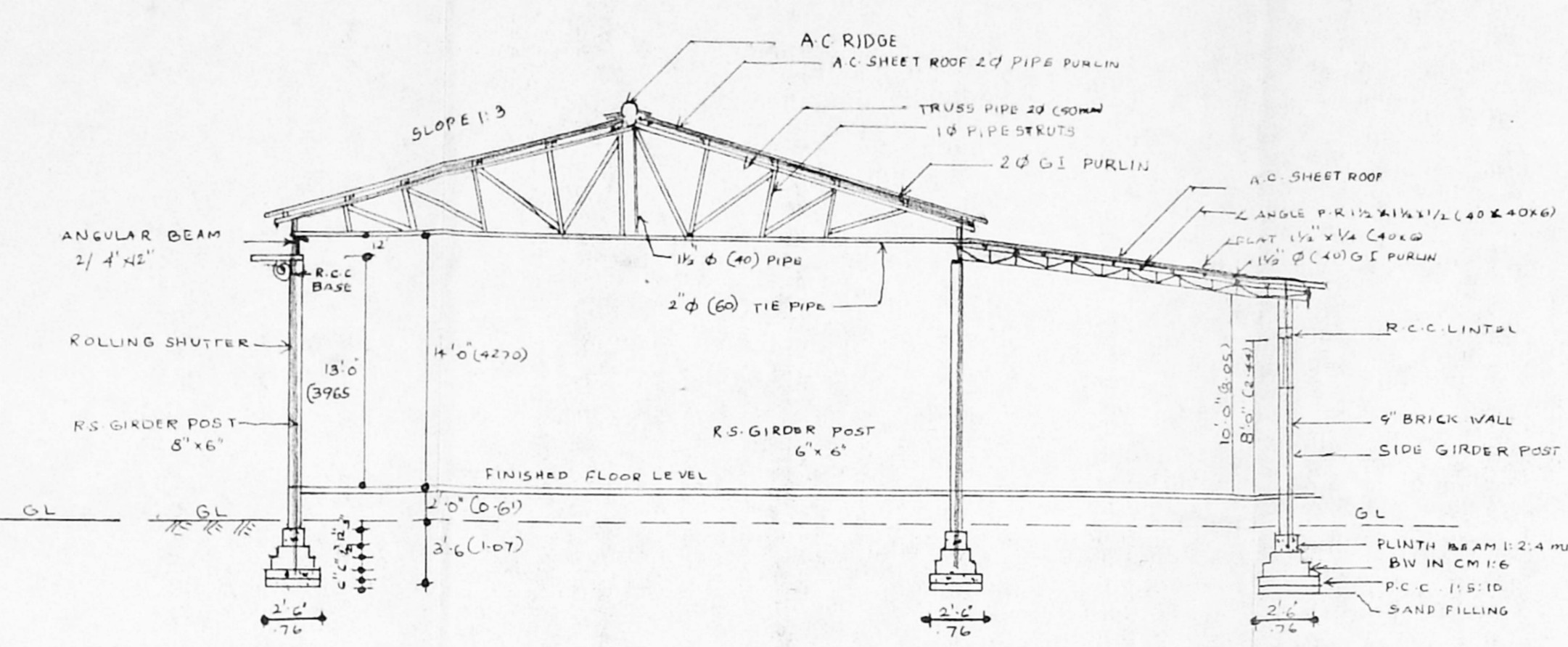
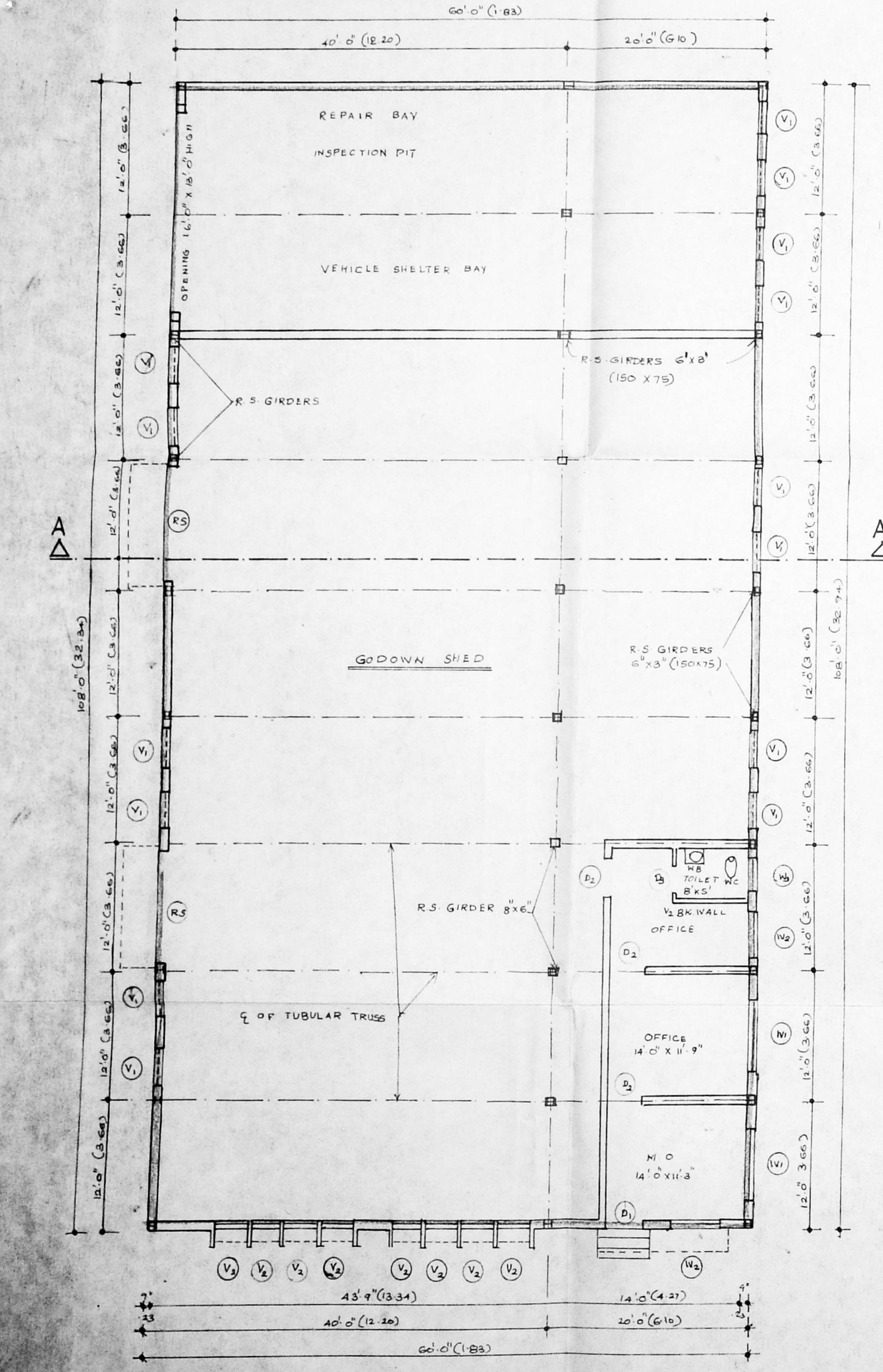


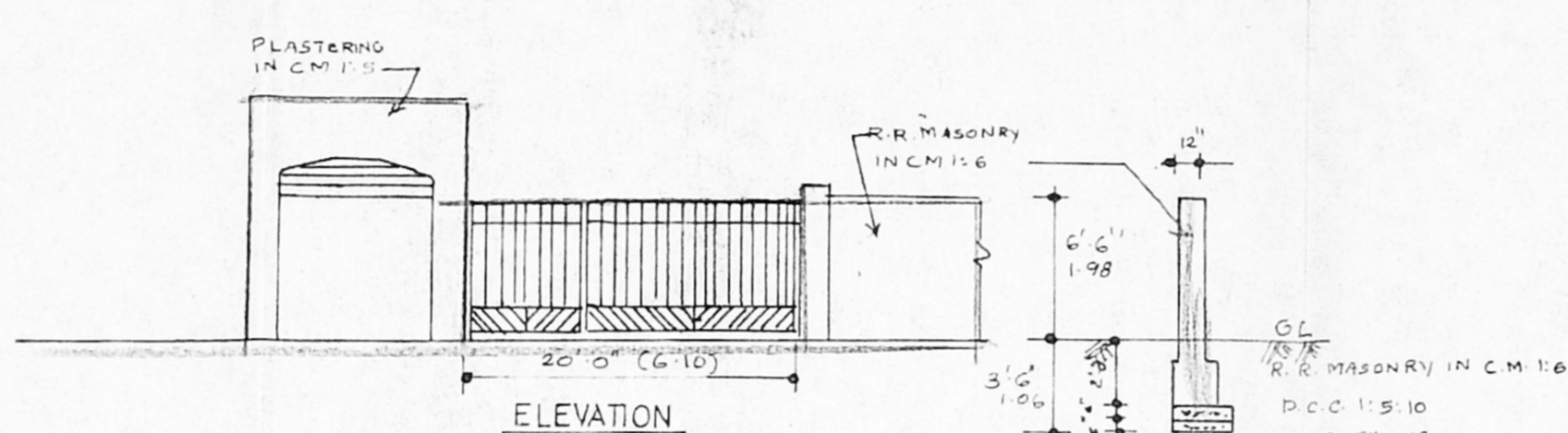
FRONT ELEVATION



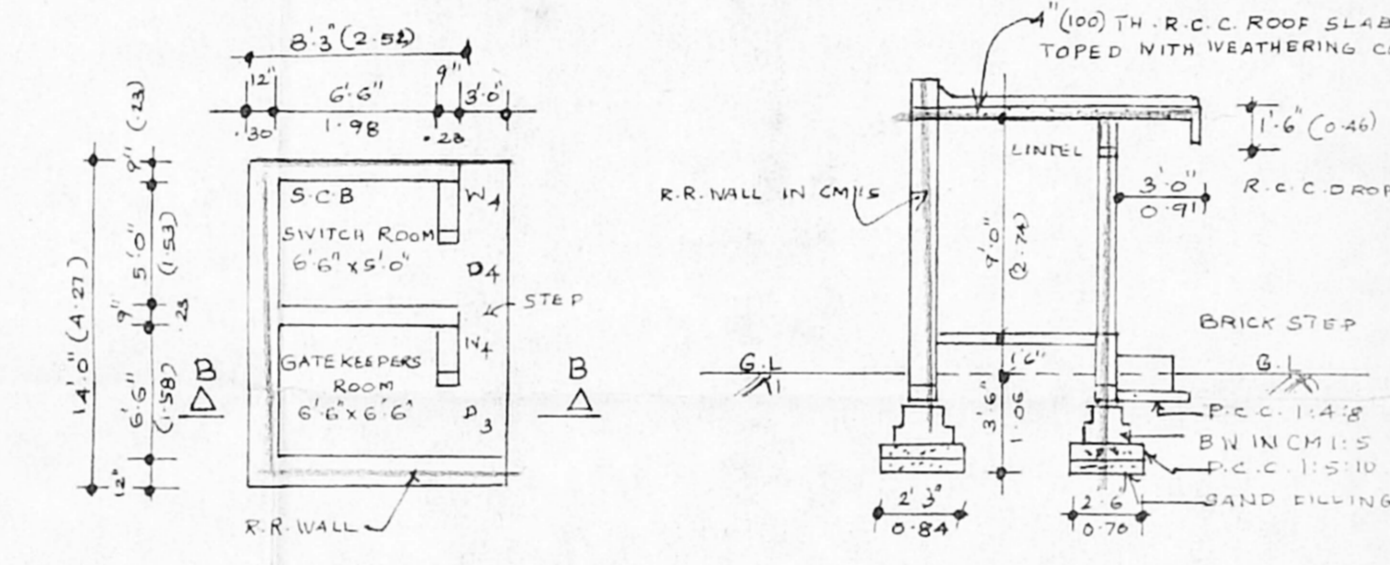
SECTION A-A



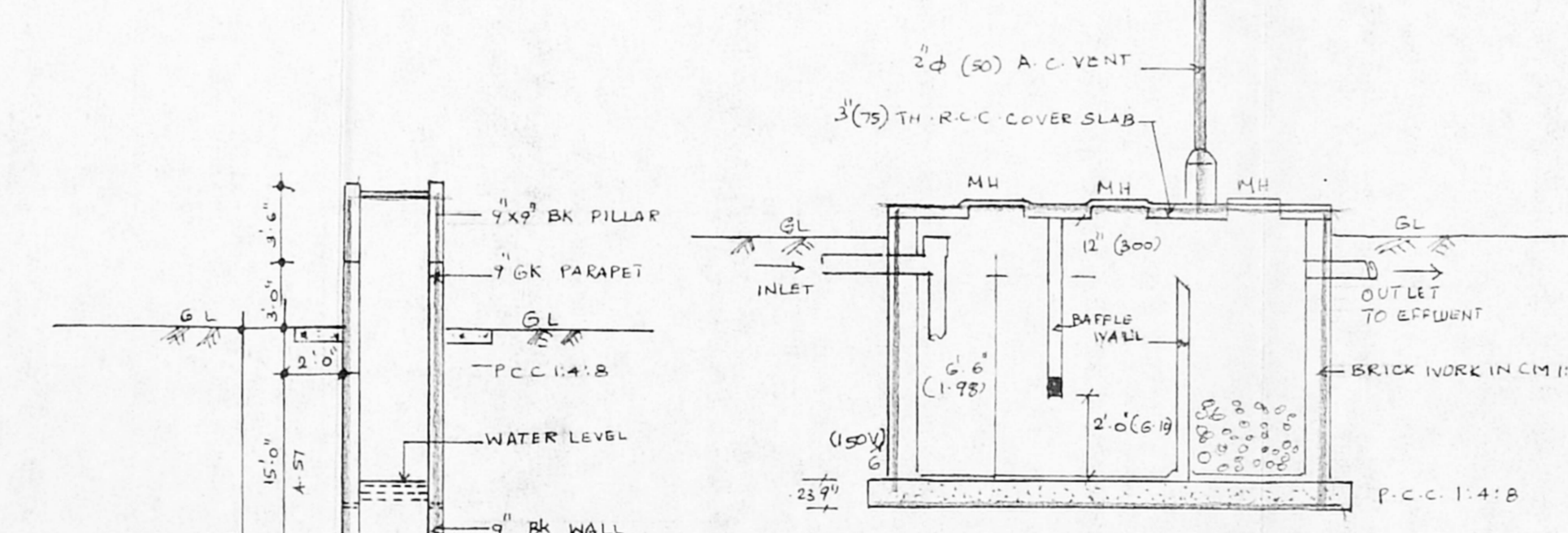
PLAN OF GODOWN SHED



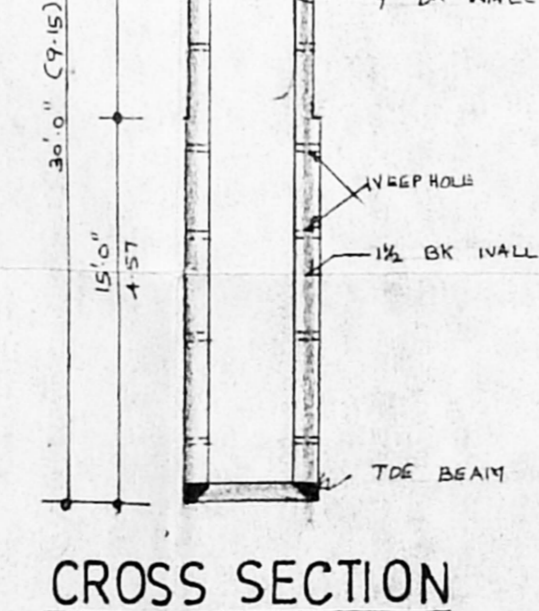
DETAIL OF COMPOUND WALL & GATE



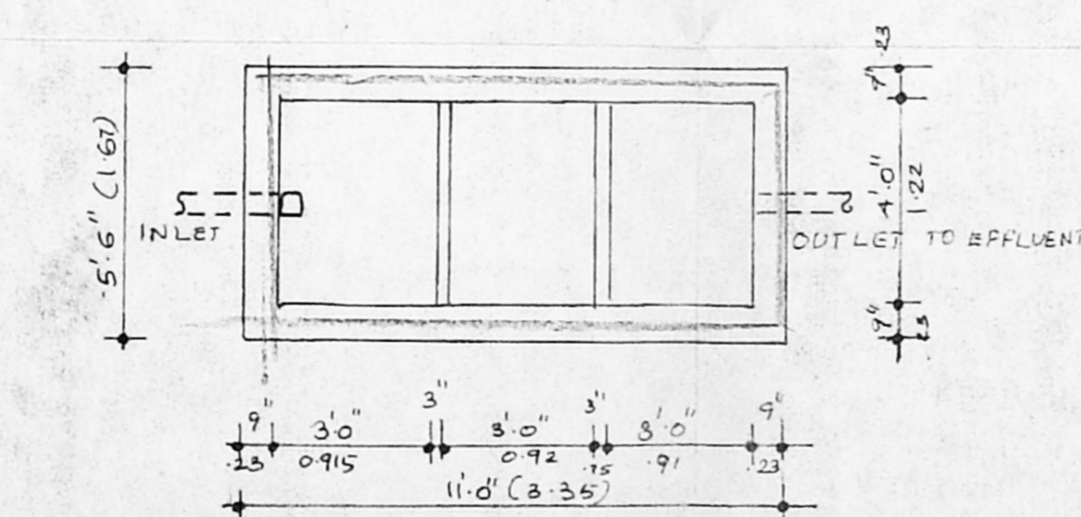
DETAIL OF GATEKEEPERS ROOM



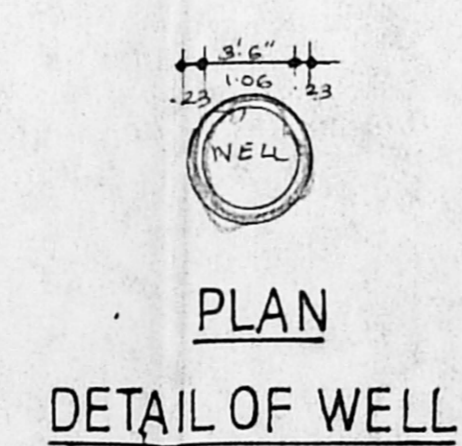
LONGITUDINAL SECTION



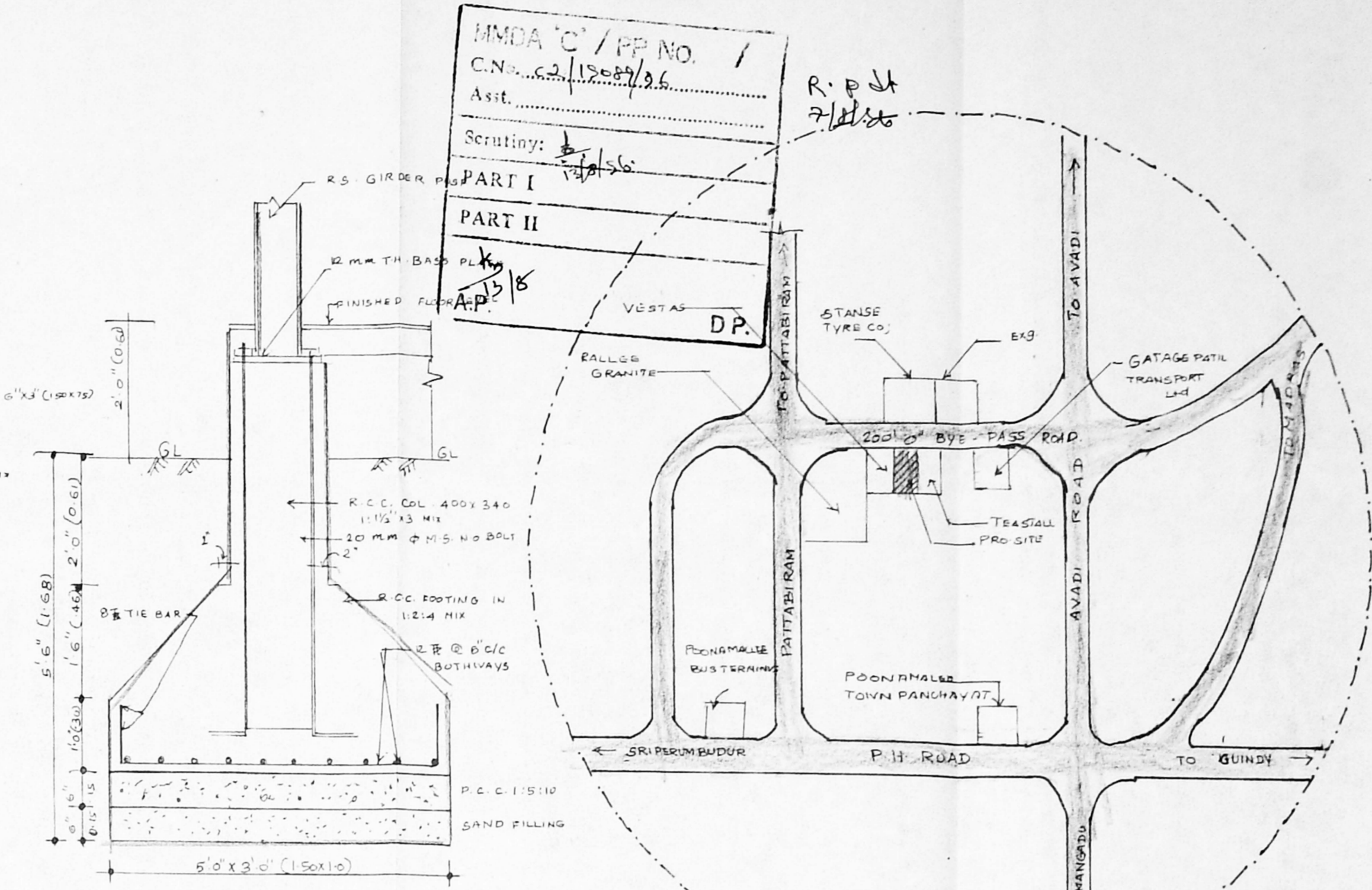
CROSS SECTION



DETAIL OF SEPTIC TANK



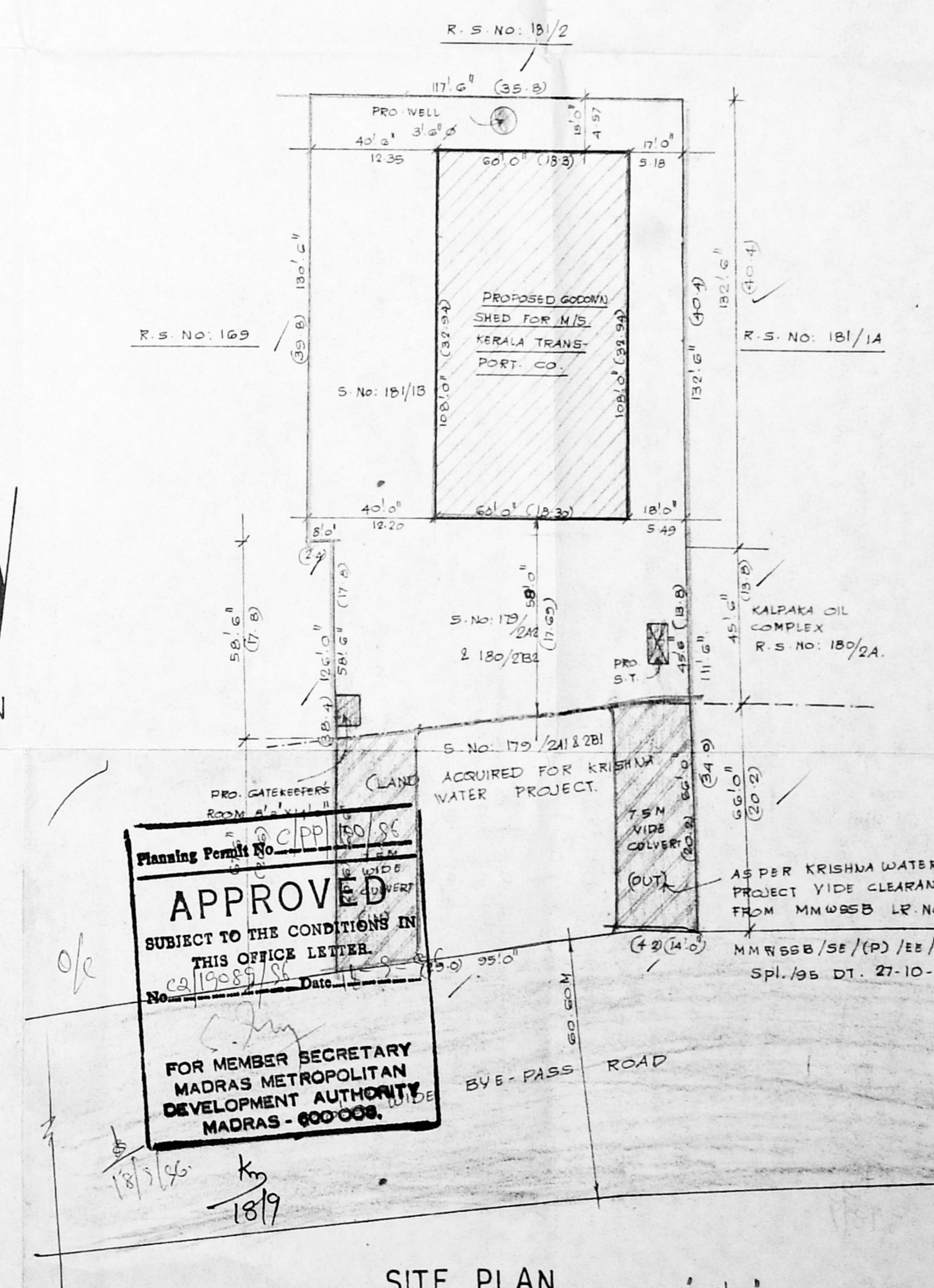
DETAIL OF WELL



FOUNDATION DETAIL OF GIRDER POST

MMDA C / PP NO. /
C.N. No. 2 / 12087/96
Asst. Secy.
PART I
PART II
AP 18

Planning Permit No. CIPD 150/96
APPROVED
SUBJECT TO THE CONDITIONS IN THIS OFFICE LETTER.
No. 119087/96 Date: 11-10-96
FOR MEMBER SECRETARY
MADRAS METROPOLITAN
DEVELOPMENT AUTHORITY
MADRAS - 600 008.



SITE PLAN SCALE: 1" = 33' 0"

Schedule of joinery

R-3	ROLLING SHUTTER	7'6" x 12'0"	2 (2 x 3.60)
D-1	ALUMINIUM GLAZED DOOR	4'0" x 7'0"	1 (2.2 x 2.14)
D-2	ALUMINIUM GLAZED DOOR	3'3" x 7'0"	1 (1.00 x 2.14)
D-3	TIV PANNELED DOOR	2'6" x 7'0"	0 (0.76 x 2.14)
D-4	M/S DOOR	2'6" x 7'0"	0 (0.76 x 2.14)
IV-1	ALUMINIUM GLAZED WINDOW	6'0" x 4'6"	1 (3.3 x 1.37)
IV-2	ALUMINIUM GLAZED WINDOW	5'0" x 4'6"	1 (3.3 x 1.37)
IV-3	ALUMINIUM GLAZED WINDOW	3'0" x 3'0"	0 (0.91 x 0.91)
IV-4	TIV GLAZED WINDOW	2'0" x 4'0"	0 (0.60 x 1.22)
V-1	ALUMINIUM GLAZED VENTILATOR	3'0" x 3'0"	0 (0.91 x 0.91)
V-2	ALUMINIUM GLAZED VENTILATOR	3'0" x 2'0"	0 (0.91 x 0.61)

Legend

- PROPOSED
- ROAD
- BOUNDARY
- LAND BELONGS TO METROMETER AND CLEARANCE OBTAINED FOR USING THE WAY TO K.T.C.

Area detail

PLOT AREA :	67 SCENTS	29,403 SFT	2731.538
PLINTH AREA OF CARGO STORAGE SHED :	6480	602.64	
PLINTH AREA OF GATE KEEPERS SHED :	115.5	10.74	
TOTAL PLINTH AREA :	6595.5	613.38	
FSI :	0.22	COVERAGE :	22%

PLAN SHOWING THE PROPOSED CONSTRUCTION OF GODOWN SHED, IN RS NO: 179/2A1 & 2A2, 181/1B, 180/2B1 & 2B2 POONAMALLEE VILLAGE & TOWN (PT), SRIPERUMPUDUR (TK), CHENGAI M.G.R. DIST. For M/S KERALA TRANSPORT CO. scale: 1" = 80' (1:100)

For KERALA TRANSPORT CO.
OWNER
R. PAGUTHARVU, D.C.E. D.C.T.
LICENSED SURVEYOR
CORPORATION OF MADRAS,
REG NO. 96
Office: 10, Venkateshwara Avenue,
SABARI NAGAR, PORUR-116.
L.S